

# NASTRO-SB™ -L5-L6-L8

The Next Benchmark



SEMI-AUTOMATIC CASE SEALER

100%  
MADE in ITALY

# NASTRO-SB™ - L5 - L6 - L8

Nastro-SB™ - L is a range of semi-automatic heavy duty case sealing machines engineered by SIAT specifically for small, medium, large and king fixed box sizes with logic on board.

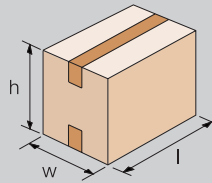
Nastro-SB™ is the ideal case sealing machine for a variety of industries like food & beverage, chemical, clothes and wine.

## SPECIFICATIONS

**Max Production Capacity:** 2000 boxes/hour

**Case type:** RSC - FEFCO 0201

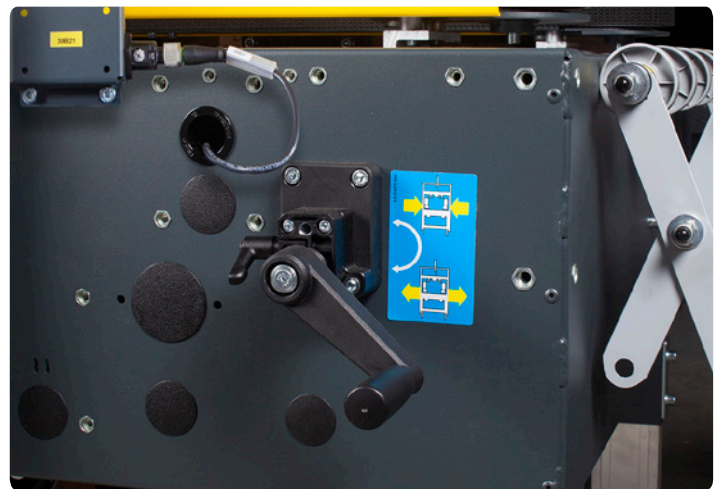
**Max case weight:** 32 kg



Box dimensions	L (mm)	W (mm)	H (mm)
L5-L	150 - ∞	105 - 500	50 - 500
L5-S	150 - ∞	150 - 500	90 - 500
L6-L	150 - ∞	105 - 650	50 - 650
L6-S	150 - ∞	150 - 650	90 - 650
L8-L	150 - ∞	105 - 800	50 - 800
L8-S	150 - ∞	150 - 800	90 - 800

## KEY FEATURES

- » Seals upper & lower flaps of cardboard cases or cartons
- » Lockable Siemens electric switch
- » Logic on board with patented variable speed to increase machine capacity
- » Energy saving device included as standard
- » Possibility to implement IoT module with SIAT Optirun platform
- » Easy and quick belt conveyor maintenance
- » Central (L5) or double side (L6 - L8) emergency stop button to work on both sides safety
- » Re-designed columns & upper frame to maximise strength and resist vibration
- » Top taping head removable without tools with new quick release click
- » End/broken tape alarm device option



Top taping unit position  
adjustment handle

Central emergency button

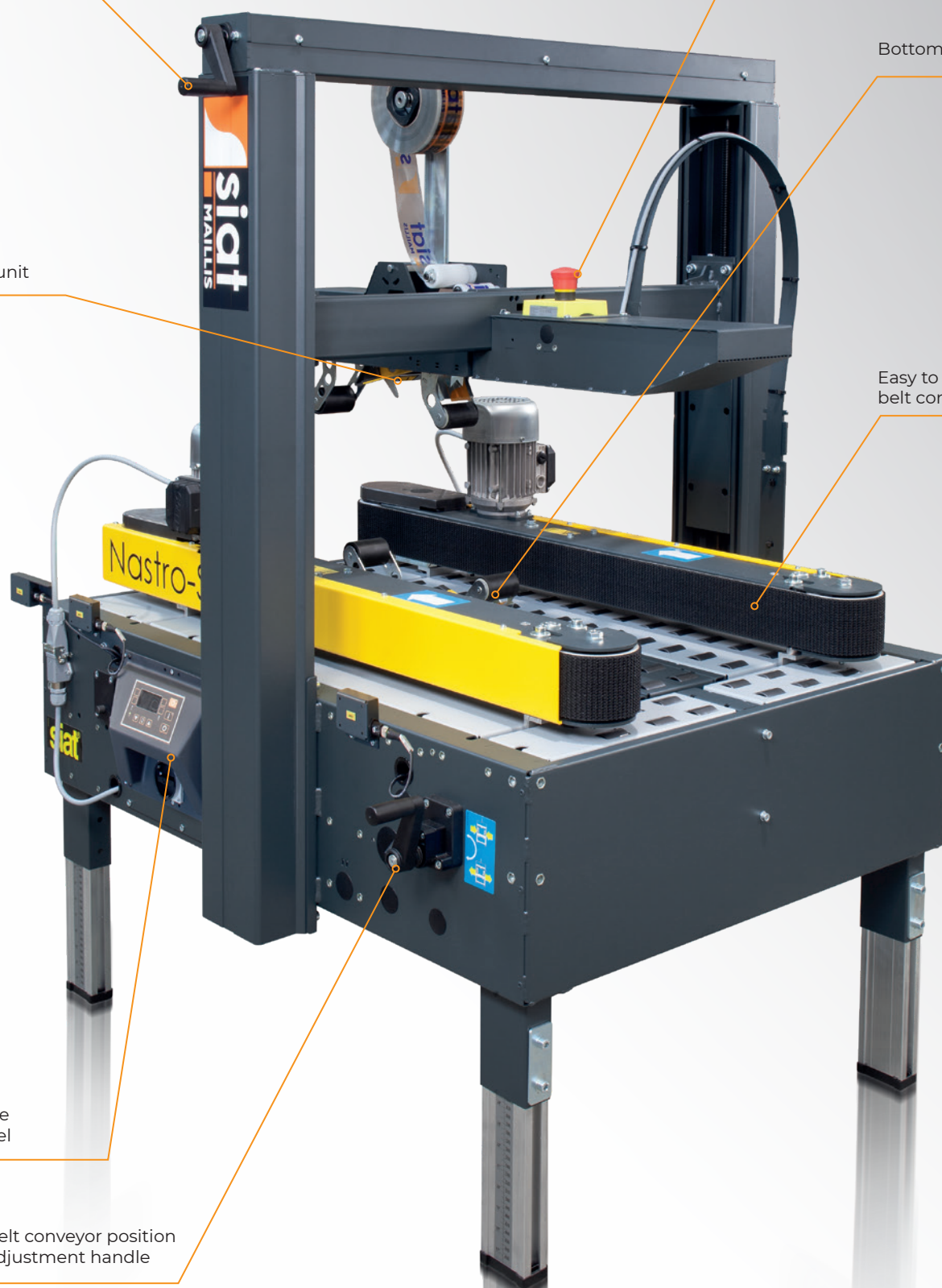
Bottom taping unit

Top taping unit

Easy to maintain  
belt conveyor

New high  
performance  
control panel

Belt conveyor position  
adjustment handle

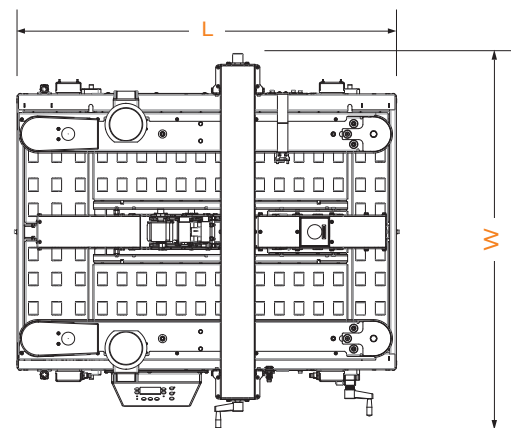
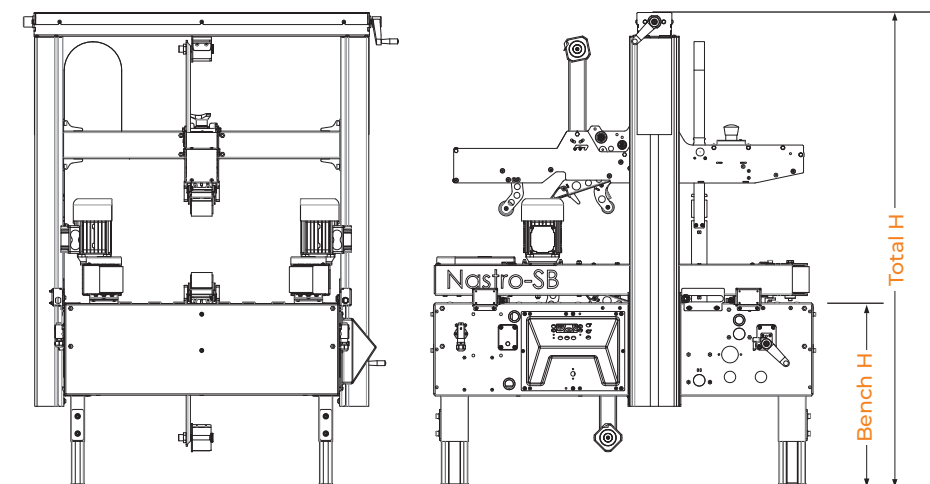


# NASTRO-SB™ - L5 - L6 - L8

## Machine dimensions

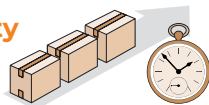
Dimensioni macchina  
 Maschinenabmessungen  
 Dimensions machine  
 Dimensiones de máquina

	Model	Min (mm)	Max (mm)
Total H	L5-S/L5-L	1315	1575
	L6-S/L6-L	1460	1720
	L8	1575	1835
H Bench	ALL	540	800
W	L5-S/L5-L	1085	1085
	L6-S/L6-L	1240	1240
	L8	1390	1390
L	ALL	1100	1100



## Max Production capacity

Capacità di produzione  
 Produktionskapazität  
 Capacité de production  
 Capacidad de producción



**up to 1600 Bph**

## Standard power supply

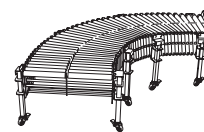
Alimentazione standard  
 Standard-Stromanschluß  
 Alimentation électrique standard  
 Fuente de alimentación estándar

220/240V - 50/60Hz - 1Ph + N	
440V - 50/60Hz - 3Ph + N	
Amps	3,4
Power kW	0,5
Phase	1Ph + N + PE

## Optional Extras

Accessori  
 Zubehör  
 Accessories  
 Accesorios

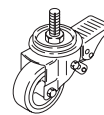
### GTL - GTR



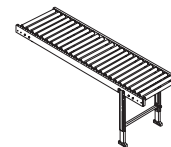
### Higher Legs



### AS77



### RG



Nastro legs low height (440-700 mm)  
 Nastro legs max height (760-1020 mm)



## SIAT Spa

Via Puecher 22, 22078 Turate - Como  
 www.siat.com

100%  
 MADE in ITALY

SIAT S.p.A is recognised worldwide as a top-class machine manufacturer for secondary packaging and produces more than 17,000 machines per year, and has done since 1970. Our product range includes semi-automatic as well as fully automatic machines like Case Sealers and Case Erectors, Stretch Wrappers, Strapping Tools / Machines, Flexographic Printing Machines and Tape Dispensers. The company is present in more than 100 countries and is constantly investing worldwide to meet customers actual and future demands.